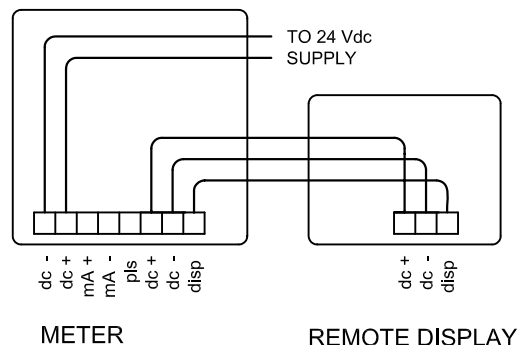
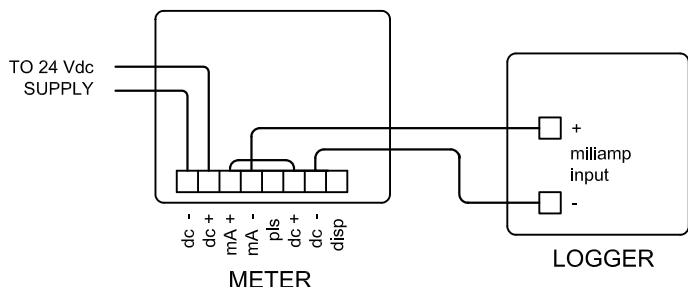


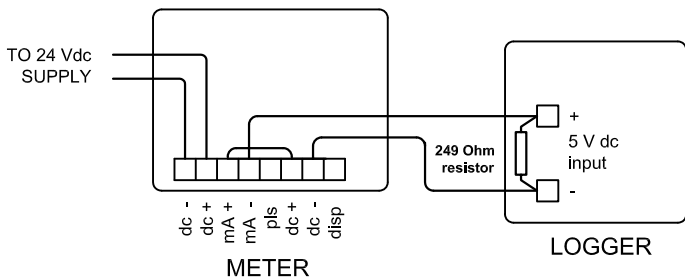
WIRING FOR ISOLATED MILLIAMP OUTPUT USING EXTERNALLY POWERED MILLIAMP LOOP



WIRING OF METER TO REMOTE DISPLAY



WIRING FOR MILLIAMP OUTPUT USING METER SUPPLY



WIRING FOR 1 - 5 V OUTPUT USING METER SUPPLY

WIRING THE METER

1. The meter must be powered from a 24 Volt dc supply wired to the dc+ and dc- terminals on the terminal strip.
2. The diagrams on the left show three ways of wiring the milliamp output. The first provides an isolated, externally-powered output; the second and third provide current and voltage outputs, respectively, powered from the meter.
3. The diagram above shows the wiring between the meter and the summing remote display.
4. To prevent electromagnetic interference, cables should be shielded with the shields connected to the terminals marked dc-.

WIRING OF 6200 AND 6400 FLOWMETERS

CDI Meters, Inc.
December 1, 2010